



# Hand Pallet Truck

## GPT 2500



- Value for money
- Rugged Construction
- Long Life

- **2500 Kg Lifting Capacity**

Now your Pallet Trucks can easily handle heavier pallets, reducing the number of trips for material movement. With a high lift of 185mm, a wide range of pallets can be handled.

- **Heavy Duty Hydraulic Unit**

Hydraulic Pump being a critical part of a Pallet Truck, needs to withstand thousands of Lift/Lower cycles. This unit in GPT 2500 is easy and inexpensive to maintain, with genuine spare parts that are easily available.

- **High Tensile Steel Forks**

The 'Double U', High tensile steel Frame gives extra strength to the Forks at key stress areas. It also ensures lesser wear of Forks while handling pallets.

- **Three Position Control Lever For Easy Operation**

An easy to operate Three Position Lever, with Lower, Lift and Neutral positions increases productivity. In the Neutral Position the handle is disconnected from the Pump Unit, reducing the effort required in moving the load and reducing operator fatigue. Spring Loaded handle ensures that Handle comes back to vertical position when released.

- **Tandem Load Rollers For Easy Movement**

Tandem load Rollers are provide to ensure that the Pallet truck has a constant contact with the ground, even on uneven surfaces. It also provides uniform distribution of load on the Rollers, thus increasing their life.

- **Polyurethane Steering and Castor Wheels For Longer Life**

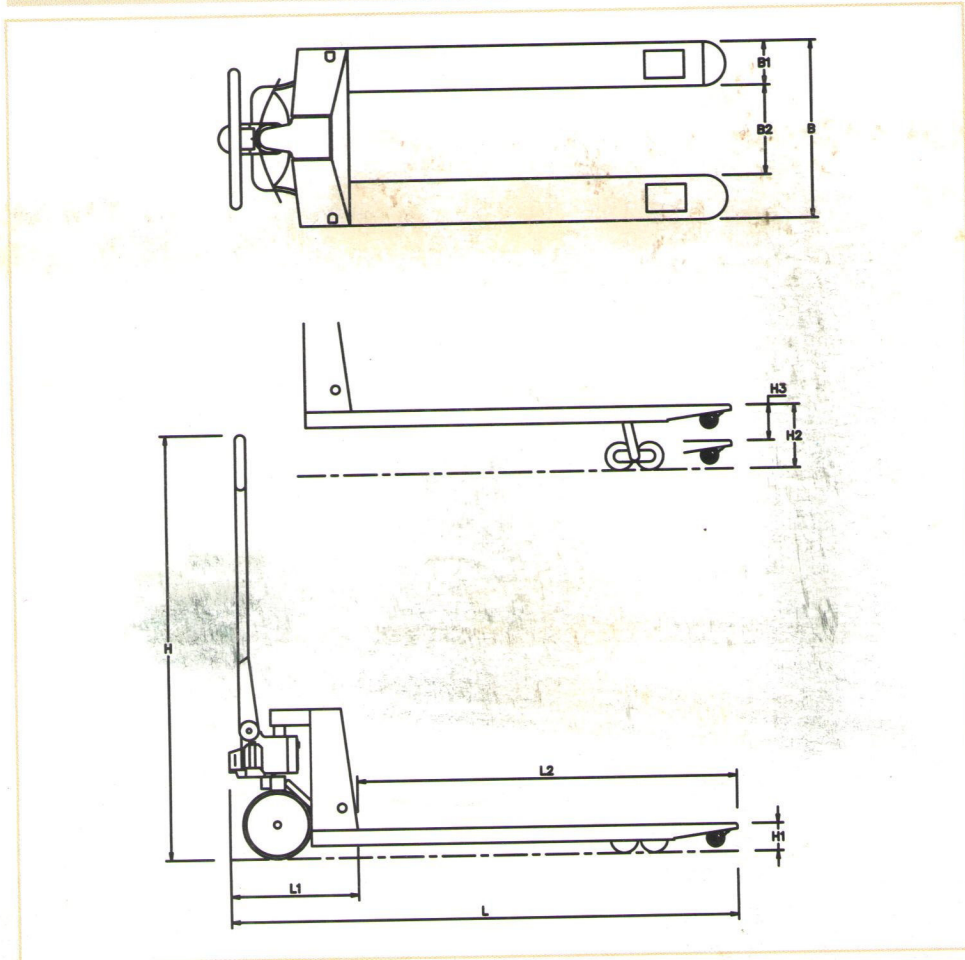
Polyurethane wheels reduce operator effort in handling the load. Further with longer work life, the downtime and maintenance costs are reduced.



## Godrej 2.5 Tonne Hydraulic Pallet Truck

### Technical Specifications

		GPT 2500	GPT 2500W
Load Capacity	kg	2500	2500
Fork Length (L2)	mm	1100	1200
Fork Width (B1)	mm	160	160
Outside Fork Spread (B)	mm	550	685
Inside Fork Spread (B2)	mm	230	365
Maximum Fork Height (H2)	mm	190	200
Lift (H3)	mm	110	115
Lowered Fork Height (H1)	mm	80	85
Head Length (L1)	mm	360	380
Overall Length (L)	mm	1460	1580
Overall Height (H)	mm	1200	1230
Truck Weight	kg	80	76
Steering Wheels(Diameter X Width)	mm	Ø 180 x 70	Ø 180 x 50
Load Wheels(Diameter X Width)	mm	Ø 70 x 70	Ø 70 x 70
Load Wheel type	-	Tandem, Polyurethane	Tandem, Polyurethane
Drive Wheel type	-	Polyurethane	Polyurethane
Colour	-	Red	Red



NOTE: All dimensions and specifications indicated above are subject to a variation of +/- 15%. Godrej products and specifications are subject to improvement or change without notice. The color of the product reflecting in this leaflet is indicative and may vary in actual supply.

### GODREJ & BOYCE MFG. CO. LTD.

Material Handling Equipment Division,  
Plant 16, Pirojshanagar, Vikhroli.  
Mumbai 400079  
Tel: +91 22 6796 4660  
Fax: +91 22 6796 1519  
E-mail: mhemktg@godrej.com  
www.godrejmh.in

### Branches & Service Centres

- Mumbai : 022 67961725/022 67961291
- Pune : 020 66255121-22 / 020 6625531-32
- Ahmedabad : 079 66060646/079 66060701/ 079 66060606
- Indore : 0731 5069335/0731 2532917
- Chennai : 044 66544431-32
- Vizag : 0891 2517930/0891 27465112-3
- Bangalore : 080 66472251
- Kochi : 0484 6612777/0484 4060600-31
- Raipur : 0771 6606605

- Hyderabad : 040 66431195
- Delhi : 011 66507340 / 50
- Chandigarh : 0172 5012525/0172 5037736-37
- Jaipur : 0141 6452047 / 69/0141 2545601-02
- Lucknow : 0522 6454961 / 0522 6454888-999
- Kolkata : 033 66013771-76
- Bhubaneshwar : 0674 2583810/0674 2580609
- UAE : 0097150 4629701/ 0097150 6262279